

Compatible with the following XY stages: Nikon TI-S-E, TI-S-ER, TI2-S-SE-E, TI2-S-SS-E. In addition it can be screwed to mechanical stages T/Ti-SR (focal plane raised by 0,5 mm) and TS2-S-SM/TC-S-SR/TC-S-SRF (focal plane raised by 1mm). For mechanical stages T/Ti-SR and TS2-S-SM/TC-S-SR/TC-S-SRF the choice of this chamber is recommended only when using multiwell plates, otherwise choose H201-NIKON-TI-SR and H201-MINI respectively.

**Magnetic inserts allow to use:**

- 35/60 mm Petri
- 1x3 in. / 1x2 in. chambered slides
- 6-12-24-48-96 MW plates

**Features:**

- It includes the fixing tool TIPA
- Sliding Lid included
- 12 Perfusion holes available



H201-NIKON-TI-S-ER - slim profile



H201-NIKON-TI-S-ER - perfusion holes



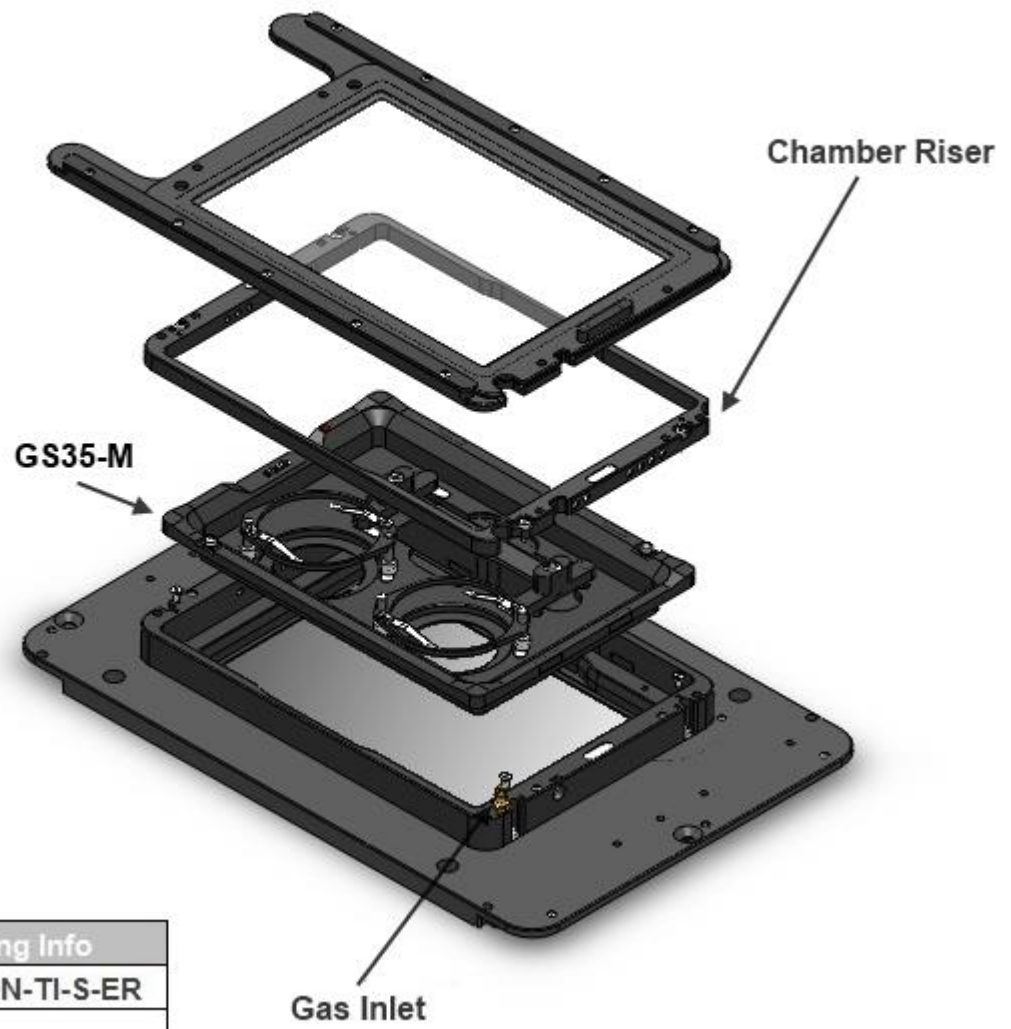
Chamber Inserts and Sample Locks - magnetic

AVAILABLE INSERTS

<b>H201-MW-HOLDER</b>	Multiwell plates holder
<b>1x35-M</b>	#1 35mm Petri-dish
<b>1xGS-M</b>	#1 1x3in. chamberslide
<b>1xLABTEK-M</b>	#1 Lab-Tek 1x2 in. chambered cover glass
<b>1xLABTEK-II-M</b>	#1 Lab-Tek II 1x2 in. chambered cover glass
<b>1x60-M</b>	#1 60mm Petri-dish
<b>1xT25-M</b>	#1 Nunc and Greiner T25 flask
<b>2x35-M</b>	#2 35mm Petri-dish
<b>2xGS-M</b>	#2 1x3in. chamberslides
<b>2xLABTEK-M</b>	#2 Lab-Tek 1x2 in. chambered cover glass
<b>2xLABTEK-II-M</b>	#2 Lab-Tek II 1x2 in. chambered cover glass
<b>2x60-M</b>	#2 60mm Petri-dish
<b>4x35-M</b>	#4 35mm Petri-dish
<b>GS35-M</b>	#1 1x3in. chamberslide and #2 35mm Petri-dish
<b>LABTEK-35-M</b>	#1 Lab-Tek 1x2 in. chambered cover glass and #2 35mm Petri-dish
<b>LABTEK-II-35-M</b>	#1 Lab-Tek II 1x2 in. chambered cover glass and #2 35mm Petri-dish
<b>LABTEK-60-M</b>	#1 Lab-Tek 1x2 in. chambered cover glass and #1 60mm Petri-dish
<b>LABTEK-II-60-M</b>	#1 Lab-Tek II 1x2 in. chambered cover glass and #1 60mm Petri-dish
<b>GS60-M</b>	#1 1x3in. chamberslide and #1 60mm Petri-dish
<b>6035-M</b>	#1 60mm Petri-dish and #1 35mm Petri-dish

AVAILABLE LIDS

<b>H201-KOEHLER LID</b>	Glass lid that reduces the height of the chamber and allows to work under Koehler illumination. Minimum condenser working distance (without chamber riser): 22mm
<b>H201-INJECTION-LID</b>	Glass lid with two small openings (sealed with flexible plastic) to allow injection or permanent access to the specimen Note: compatible only with specimen holder 1x35
<b>H201-LASER-INTERLOCK-LID</b>	Glass lid with a safety switch that connects to the laser box. The switch turns off the laser, when the lid is lifted Note: compatible only with specimen holder 1x35



Ordering Info
H201-NIKON-TI-S-ER
GS35-M

H201-NIKON-TI-S-ER with Sliding Lid



Ordering Info
H201-NIKON-TI-S-ER
H201-KOEHLER-LID
GS35-M

H201-NIKON-TI-S-ER with Koehler Lid



**H201-KOEHLER LID**



**H201-LASER INTERLOCK LID**

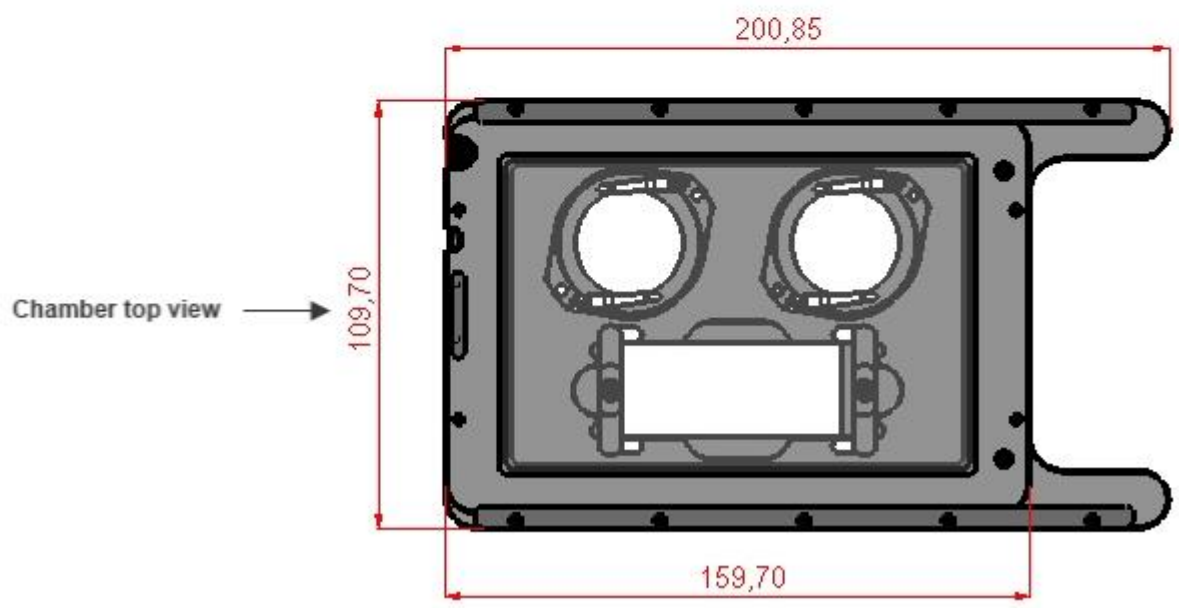
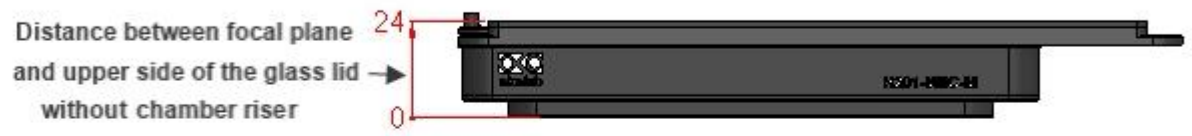
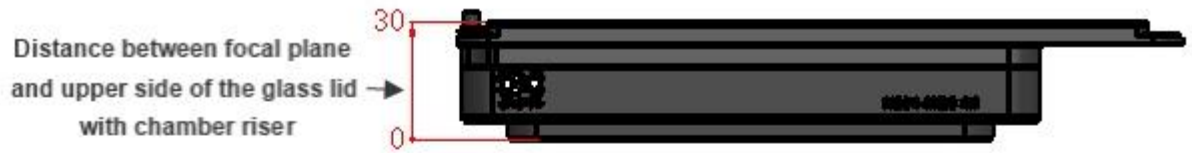


**SLIDING LID**  
Included as standard

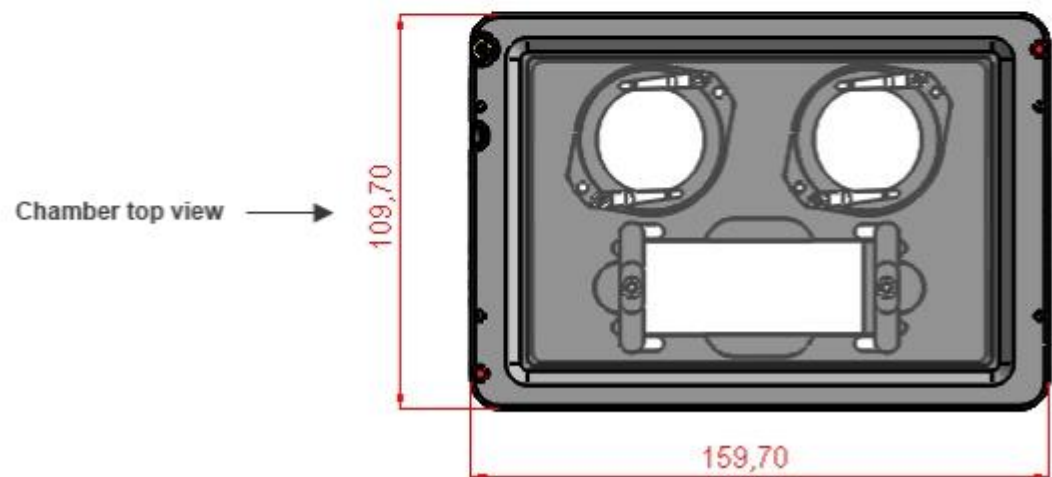
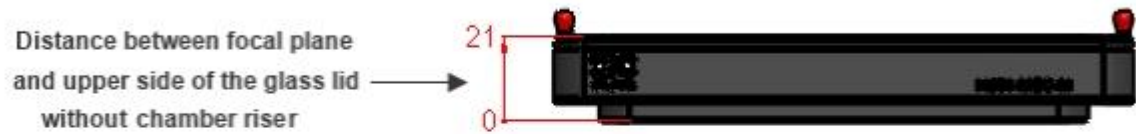
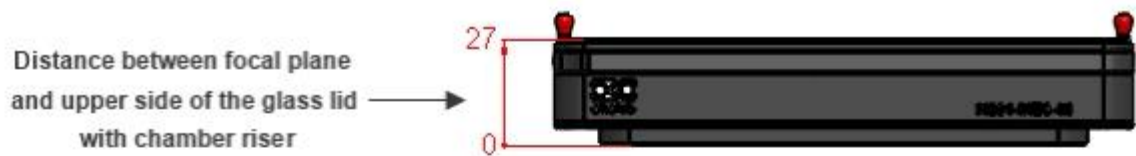


**H201-INJECTION-LID**

H201-NIKON-TI-S-ER - Available Lids

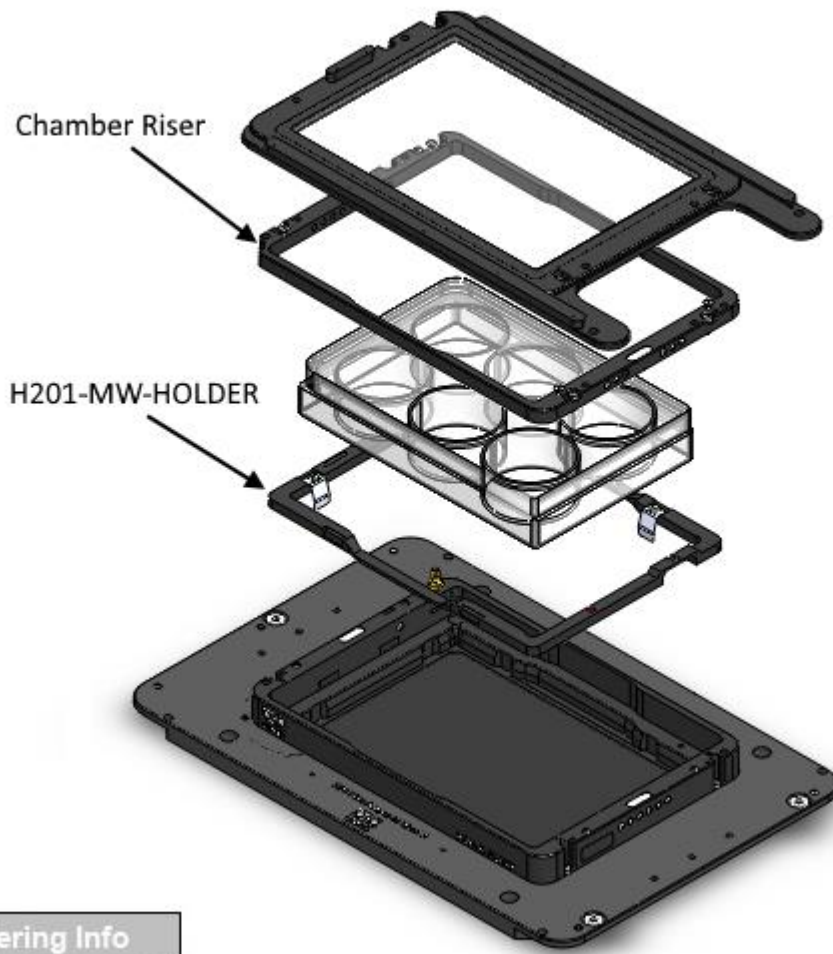


H201-NIKON-TI-S-ER - Dimensions - TIPA plate adapter not reported



H201-NIKON-TI-S-ER with Koehler Lid - Dimensions - TIPA plate adapter not reported





Ordering Info
H201-NIKON-TI-S-ER
H201-MW-HOLDER

H201-NIKON-TI-S-ER - 6MW Plate - requires chamber riser



**1x35-M**  
For #1 35 mm petri dish



**2x35-M**  
For #2 35 mm petri dishes



**1X60-M**  
For #1 60 mm petri dish



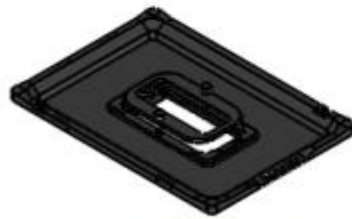
**4X35-M**  
For #4 35 mm petri dishes



**2X60-M**  
For #2 60 mm petri dishes



**GS60-M**  
For #1 60 mm petri dishes and  
#1 1"x3" chamber slide



**1xLABTEK-II-M**  
For #1 Lab-Tek II 1"x2" chambered cover glass



**6035-M**  
For #2 35 mm petri dishes and  
#1 60 mm petri dish



**LABTEK-II-60-M**  
For #1 Lab-Tek II 1"x2" chambered  
cover glass and #1 60mm petri-dish

H201-NIKON-TI-S-ER - Magnetic inserts



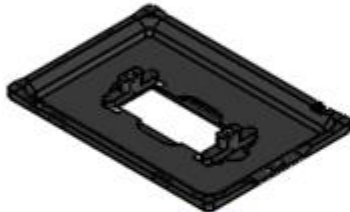
**LABTEK-35-M**  
For #1 Lab-Tek 1"x2" chambered  
cover glass and #2 35mm petri-dishes



**GS35-M**  
For #1 1"x3" chamber slide and  
#2 35mm petri dishes



**2xGS-M**  
For #2 1"x3" chamber slides



**1xGS-M**  
For #1 1"x3" chamber slide



**2xLABTEK-M**  
For #2 Lab-Tek 1"x2" chambered  
cover glass



**LABTEK-II-35-M**  
For #1 Lab-Tek II 1"x2" chambered  
cover glass and #2 35mm petri-dishes



**2xLABTEK-II-M**  
For #2 Lab-Tek II 1"x2" chambered  
cover glass

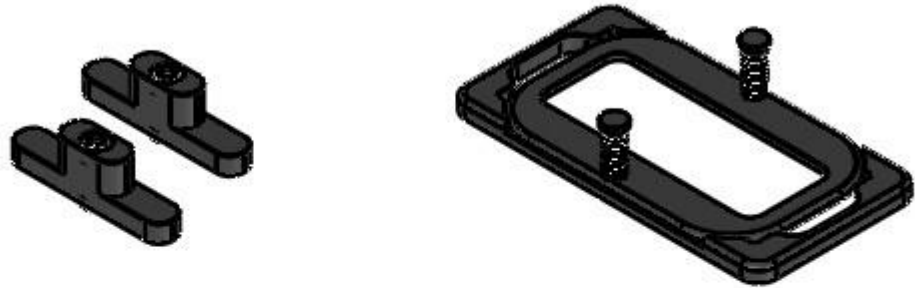


**1xLABTEK-M**  
For #1 Lab-Tek 1"x2" chambered  
cover glass

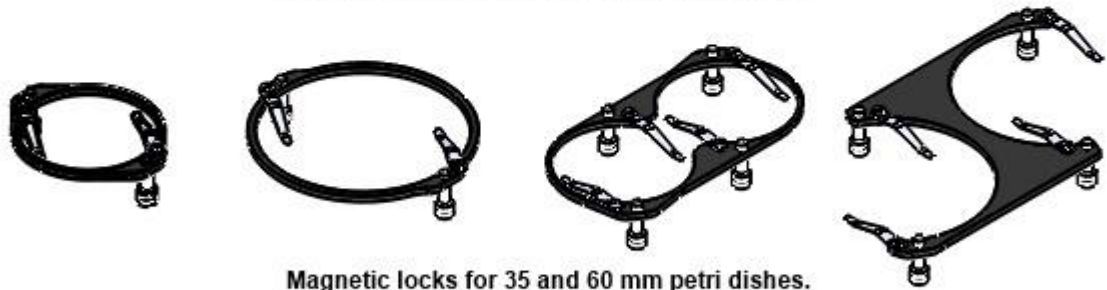


**LABTEK-60-M**  
For #1 Lab-Tek 1"x2" chambered  
cover glass and #1 60mm petri-dishes

H201-NIKON-TI-S-ER - Magnetic inserts



**Magnetic Locks for chamber slides and chambered cover glass.  
Included in the corresponding chamber insert**



**Magnetic locks for 35 and 60 mm petri dishes.  
Included in the corresponding chamber insert**

H201-NIKON-TI-S-ER - Magnetic Locks